



alfdex[®]

Number one in crankcase ventilation



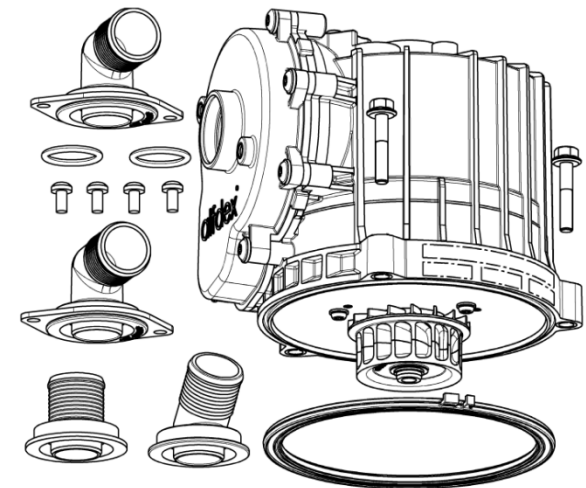
Alfdex All-Makes Aftermarket Kit

European market

The crankcase ventilation system from Alfdex with its patented technology first started being equipped by the Volvo Group and Daimler in 2006. Since then more than 2 million units have been sold.

This all-makes kit has been developed to fit most Alfdex separators on the market. It's a shelf-ready product with part numbers for cross reference, packaging and installation instructions. Alfdex is a durable product; however with high mileage the components could wear out. The product is of equal quality as the units it replaces.

This kit includes a complete housing with discs and four connectors to choose from. This all-makes kit is only available through the independent aftermarket channel.



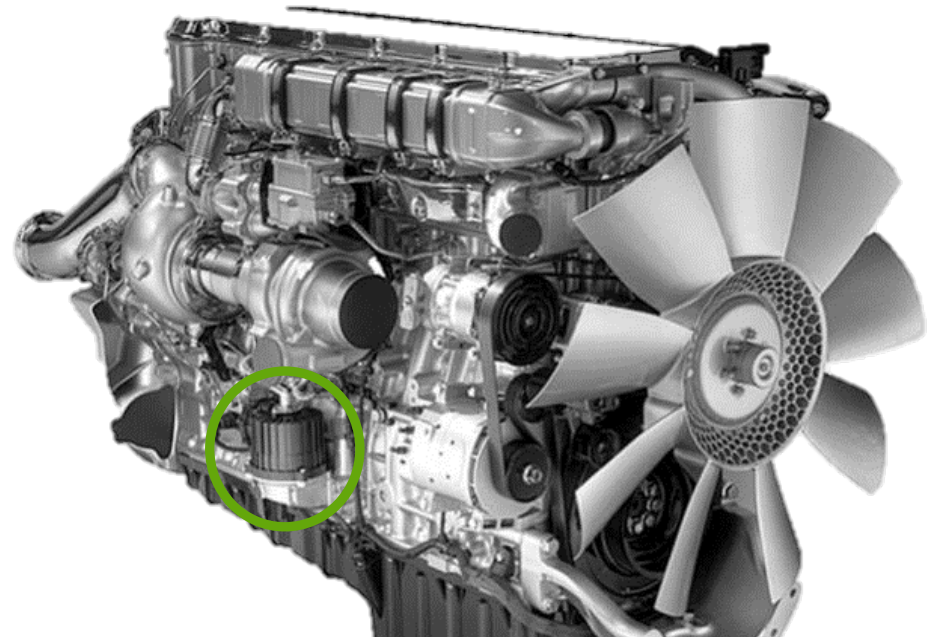
Alfdex part number 9009483 can be used for all these applications:

BRAND	Mercedes Benz	Volvo & Renault	Volvo Penta
ENGINE	12,8L & 15,6L	MD9, MD11, MD13, MD16 & D12	D11, D12, D16, MD13 & TMAD 70
PART NO.	A4720101762, A4720103762, A4720104862 & A4720105062	20566628, 21098264, 20499419, 21122541, 20763721, 21122539, 20707295 & 21475226	3886706, 3888808, 3588982, 3888896, 3848875, 21241130 & 3884785
SERVICE KIT	A4720160104	21475228	

John Deere part number: RE537155, RE555331, RE538740

AGCO part number: 837073734, 837081675

Deutz part number: 0491 0336



For more information visit: www.alfdex.com or contact one of our representatives.

